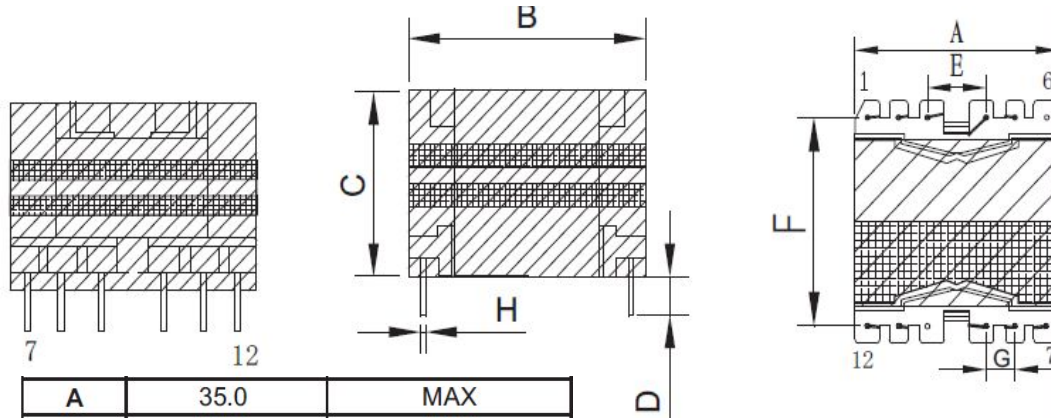


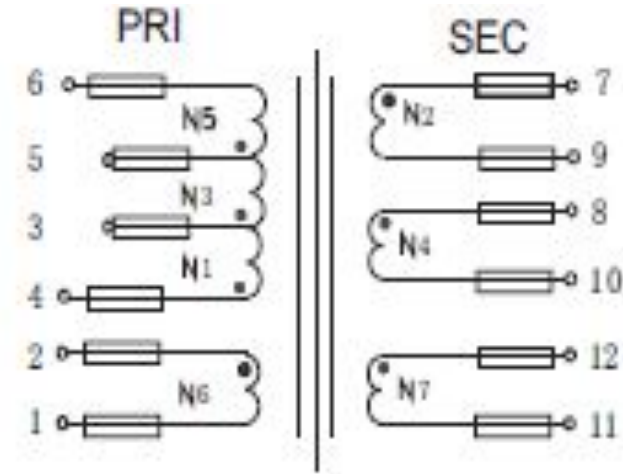
CUSTOMER TERMINAL	ROHS	Lead(Pb)-free
	YES	YES

1. Mechanical Dimensions



A	35.0	MAX
B	35.0	MAX
C	23.5	MAX
D	3.5	±0.5
E	7.6	±0.3
F	30.0	±0.4
G	5.0	±0.3
H	0.80	±0.1

2. Schematic Diagram



3. Material List

Core:FW44 PQ3220

Bobbin:FWB3201-1(6+6PIN)

Wire: TIW LITZ 2UEW

Copper foil:0.025t*5.0mm

Operating Temperature: -30 to115 °C

4. Electrical Specification

Inductance : L(4-6):560uH±5% 40KHZ , 1.0V

Leakage Inductance : 6uH MAX 40KHZ , 1.0V

DCR : (6-4)=0.4Ω MAX (7-9)=278mΩ MAX

Hi-Pot:P-S: AC 60Hz 4000V 2mA 3S

P-CORE: AC 60Hz 500V 2mA 3S

REV.	DATE	<p>Convention Placement</p>	DRW.	Drawing Title: TRANSFORMER	Part No:
0	00/00		CHK.		FWPTPQ3220V561J
			APP.		Customer P/N
ROHS		www.ferriwo.com			